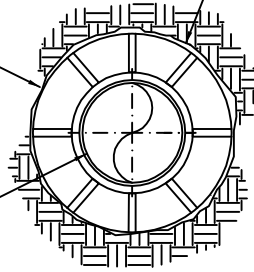


STEEL CASING PIPE  
WITH SPACERS

MAIN

ANNULAR SPACE BETWEEN  
CASING & FACE OF ROCK  
TO BE COMPLETELY FILLED W/ GROUT.

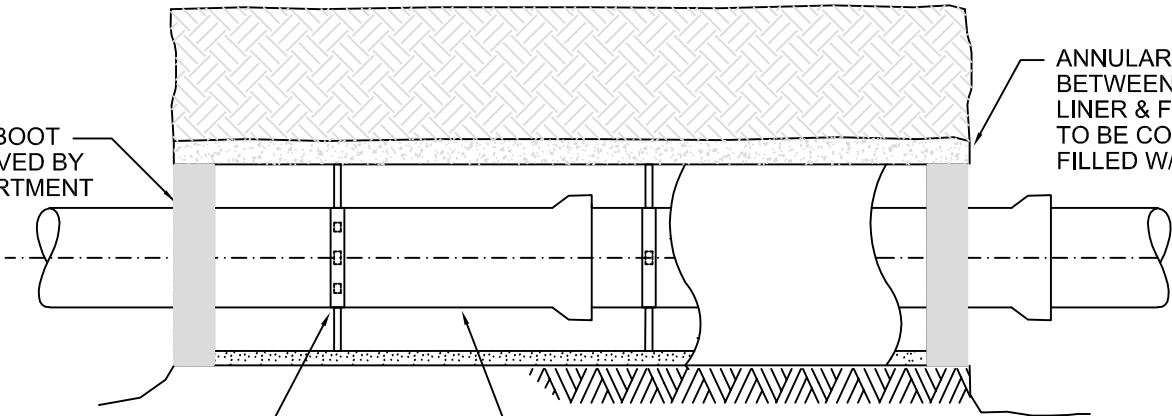


FLEXIBLE BOOT  
AS APPROVED BY  
THE DEPARTMENT

ANNULAR SPACE  
BETWEEN CASING  
LINER & FACE OF ROCK  
TO BE COMPLETELY  
FILLED W/ GROUT

STAINLESS STEEL  
BANDED PIPE SPACER  
(TYP.)

MAIN



DRAWING NOT TO SCALE

NOVEMBER 13, 2009

DRAWN BY: KAC  
APPROVED BY: VHS

# CASING DETAIL

STANDARD  
DRAWING NO.

## W - 6A

MURFREESBORO WATER & SEWER DEPARTMENT