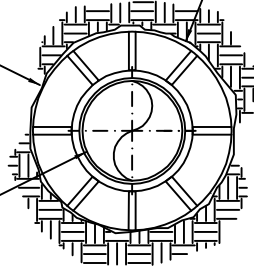


STEEL CASING PIPE
WITH SPACERS FOR
PIPE ON GRADE.

MAIN

ANNULAR SPACE BETWEEN
CASING & FACE OF ROCK
TO BE COMPLETELY FILLED W/ GROUT.

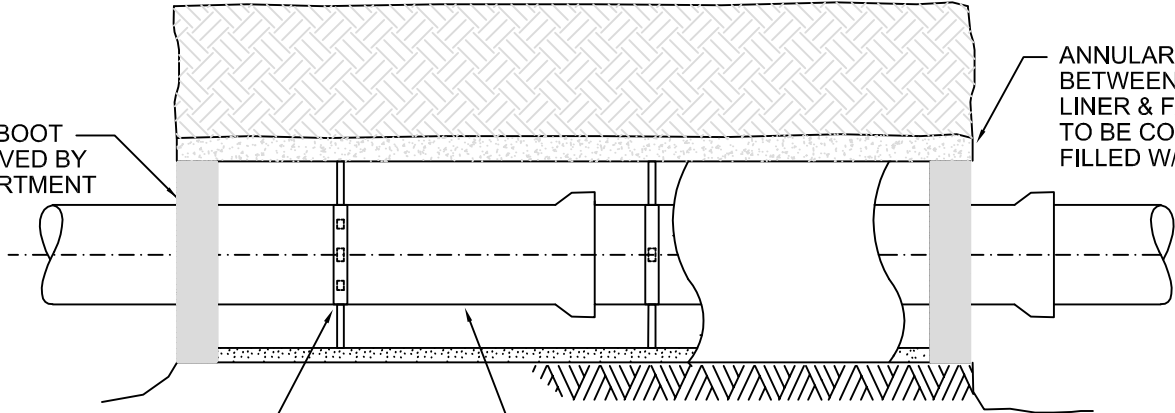


FLEXIBLE BOOT
AS APPROVED BY
THE DEPARTMENT

ANNULAR SPACE
BETWEEN CASING
LINER & FACE OF ROCK
TO BE COMPLETELY
FILLED W/ GROUT

STAINLESS STEEL
BANDED PIPE SPACER
(TYP.)

MAIN



DRAWING NOT TO SCALE

NOVEMBER 13, 2009
DRAWN BY: KAC
APPROVED BY: VHS

CASING DETAIL

STANDARD
DRAWING NO.
S - 15A

MURFREESBORO WATER & SEWER DEPARTMENT