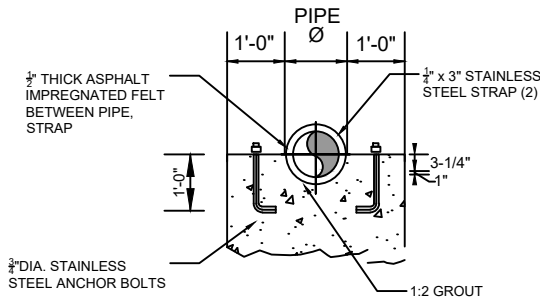


FRONT ELEVATION
NOT TO SCALE

SIDE ELEVATION
NOT TO SCALE



DETAIL OF PIPE ON PIERS
NOT TO SCALE

DRAWING NOT TO SCALE

MAY 24, 2019
DRAWN BY: J.S.R.
APPROVED BY: V.H.S.

**AERIAL PIER
SUPPORT**

STANDARD
DRAWING NO.
S - 25