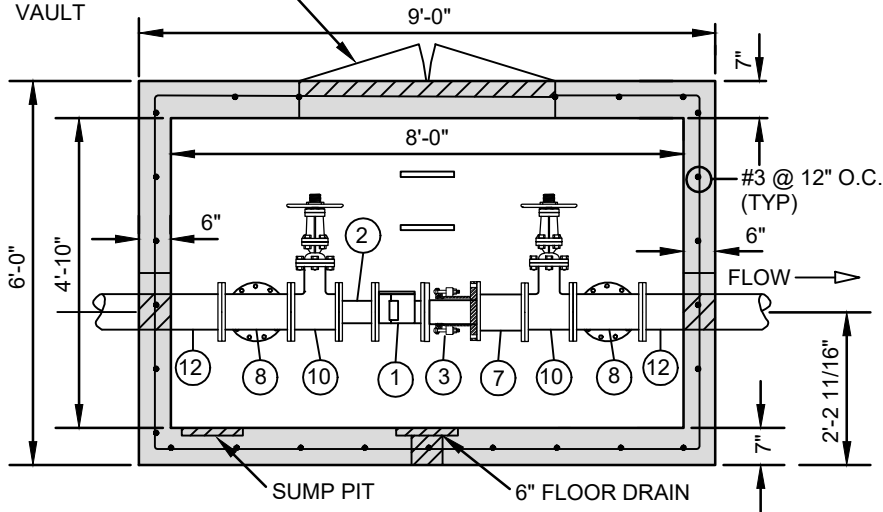


TOP VIEW

1. SENSUS OMNI C2 10 USG WITH ITRON. ERW-1300-403 (1)
LDS-0002-002 (1)
CFG-0900-003 (1)
2. 3" - 4" FLANGE X FLANGE SPOOL 0'-6" (1)
3. 3" - 4" ROMAC RESTRAINED FLANGE COUPLING ADAPTER
4. PRECAST CONCRETE VAULT W/ A 48" X 48" HALLIDAY W2S4848 W/ SKIRT FOR 7" TOP SLAB
5. VAULT DEPTH SHALL BE DETERMINED AND SIZED ACCORDINGLY
6. DRAIN LINE SHALL BE 6" SIZE WITH SUFFICIENT FIELD DRAINAGE CAPACITY
7. 3" - 4" FLANGE X PE SPOOL 1'-0" (1)
8. 3" - 4" FLANGE TEE (2)
9. 3" - 4" FLANGE 90 (2)
10. FLANGE NRS GATE VALVE W/ HAND WHEEL (3)
11. 3" - 4" FLANGE X FLANGE 4'-0" (1)

48" X 48" DOUBLE LEAF DOOR OFFSET TO THE LADDER SIDE OF THE VAULT



SIDE VIEW

**Discharge for sump pump to go through top of vault (2" sch. 40 hole only)

SPECIFICATIONS:

CONCRETE: 5,000 psi min. strength (28 day)
 PIPE PENETRATIONS: The inlet and outlet are fitted with solid seal that meet or exceed ASTM C923 (4" D.I.P. - 6" D.I.P.).
 All pipe penetrations are placed according to job requirements.
 REINFORCING: Primary reinforcement will be a #3 rebar (Grade 60) rebar.
 PIPE STANDS: Adjustable height pipe stands will be provided to support assembly.
 SEALANT: Sealant used will meet or exceed ASTM C990.
 STEPS: Aligned under hatch unless specified.

DRAWING NOT TO SCALE

JULY 17, 2019

DRAWN BY: VHS
 APPROVED BY: VHS

3" & 4" DOMESTIC WATER
 METER ASSEMBLY WITH
 BYPASS

STANDARD
 DRAWING NO.

W - 8

MURFREESBORO WATER RESOURCES DEPARTMENT