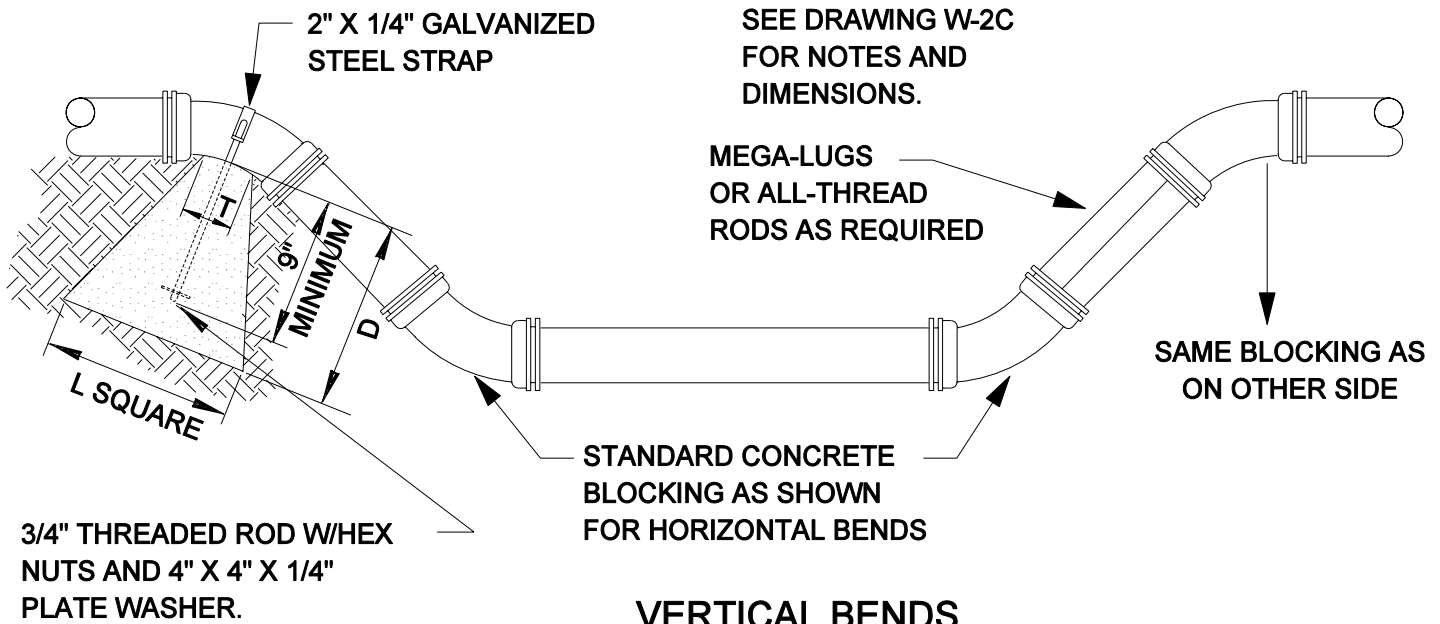


NOTE:  
SEE DRAWING W-2C  
FOR NOTES AND  
DIMENSIONS.



DRAWING NOT TO SCALE

MAY 27, 1994  
DRAWN BY: A.H.W.F.  
APPROVED BY: K.N.H.  
DATE REVISED: 3/5/02 KMC

**CONCRETE  
THRUST BLOCKING**  
DRAWING 2 OF 3

STANDARD  
DRAWING NO.  
**S - 42B**

MURFREESBORO WATER & SEWER DEPARTMENT